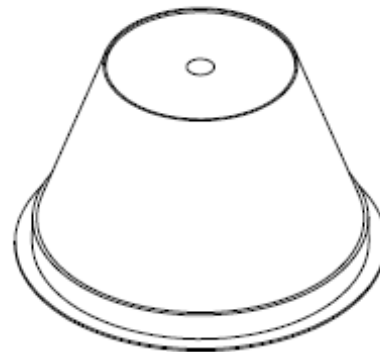
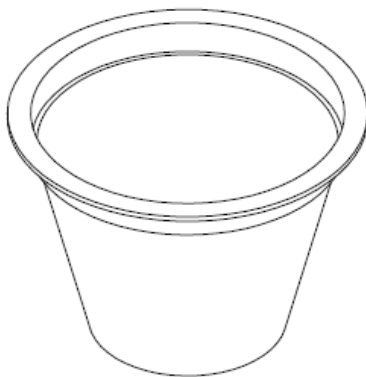
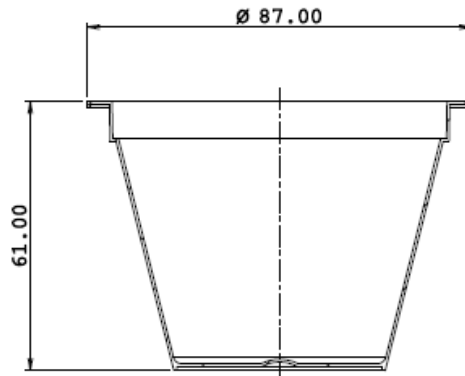




Shalam Packaging Group



155g CONE POT

ITEM CODE: 4001700001

MATERIAL

Food Grade Polypropylene Co-Polymer

COLOUR

Natural, Red, Blue– a range of colours are available on request

DECORATION

In Mould Labelling available on request

WALL THICKNESS

Min. 600 microns

WEIGHT

Container: 9.2g (+/- 1g)

QUANTITY (EMPTY)

Container: 12000 per pallet (25 boxes of 480) (1000mm x 1200mm)

STACKING (EMPTY)

Container: 1 pallet high

FILLING (Based on product density 1.4 air temperature 20°C)

To be confirmed according to the customers sealing technique

FILL TEMPERATURE

Max 121°C (avoid prolonged exposure over 121°C and below 0°C)

COMPATIBILITY

It is the responsibility of our customers to ensure their product is compatible with the container. Trials can be carried out by Shalam on request

All details correct at the time of printing. Please contact us for additional technical, sales and order assistance.