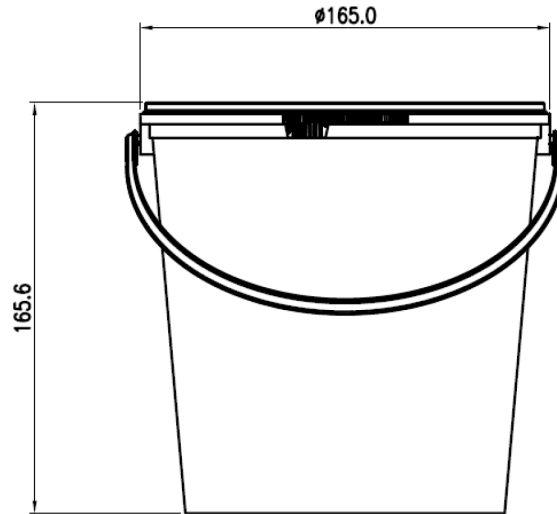




Shalam Packaging Group



2.3 LITRE BUCKET

ITEM CODE: 1023000002

Lid: 31023000002

Tamper Evident

MATERIAL

Food Grade Polypropylene Co-Polymer

HANDLE TYPE

Plastic or metal

COLOUR

White – a range of colours are available on request

DECORATION

In Mould Labelling available on request

BRIM VOLUME

2.5 Litres

WEIGHT

Container: 80g (+/- 10g)

Lid: 20g (+/- 4g)

Plastic Handle: 4.3g (+/- 1g)

QUANTITY (EMPTY)

Container: 1,302 per pallet (Pallet 1000mm x 1200mm)

Lid: 8,400 per pallet

Lids and buckets are dairy wrapped for food standards

STACKING (EMPTY)

Container: 3 pallets high

Lid: in pallet box 3 high

FILLING (Based on product density 1.4 air temperature 20°C)

252 per pallet (42 per layer x 6 high)

This is equivalent to a maximum weight of 16Kg on the lower bucket

Maximum stacking temperature 40°C

1150mm maximum pallet height

FILL TEMPERATURE

Max 80°C (avoid prolonged exposure over 40°C and below -20°C)

Polymer blend can be adjusted to suit other temperatures.

Stacking performance is affected by temperature, do not stack hot.

COMPATIBILITY

It is the responsibility of our customers to ensure their product is compatible with the container. Trials can be carried out by Shalam on request

Stacking performance is affected by temperature, do not stack hot.

All details correct at the time of printing. Please contact us for additional technical, sales and order assistance.